

**FORM FOUR CLUSTER KCSE MODEL 6**  
**AGRICULTURE PAPER 2 QUESTIONS**

SECTION A (30 Marks)

Answer all the questions in this section in the spaces provided.

1. a) Give four practices carried out by a milkman to ensure clean milk production.

.....  
.....  
.....  
.....

b) Apart from suckling by a calf, state other factors that may initiate the production of oxytocin before milking.

.....  
.....  
.....  
.....

2. Name any four implements connected to power take off shaft.

.....  
.....  
.....  
.....

3. Name any six sources of power that are environmental friendly.

.....  
.....  
.....  
.....  
.....  
.....

4. Give prophylactic measures for disease control in livestock.

.....  
.....  
.....

5. Give the vectors of each of the following diseases;

i) Red water .....

ii) Trypanosomiasis.....

iii) Anaplasmosis.....

iv) East Coast Fever.....

6. State four sources of carbohydrate concentrates for livestock.

.....  
.....

.....  
.....  
7. What is meant by the term dry matter content as used in livestock feeding?  
.....  
.....

8. Describe the procedure for docking in lambs using Burdizzo.  
.....  
.....  
.....  
.....

9. Give four ways through which the quality of honey can be improved.  
.....  
.....

10. State two methods of preserving fish.  
.....  
.....

11. List four non-chemical control measures for ticks.  
.....  
.....  
.....

12. State the control measures for liverflukes.  
.....  
.....  
.....

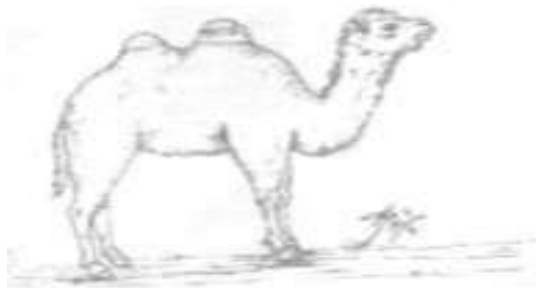
13. State the management practices carried out in a brooder before arrival of chicks.  
.....  
.....  
.....

14. State four reasons for breeding in livestock.  
.....  
.....  
.....

SECTION B (20 Marks)

Answer all the questions in the spaces provided

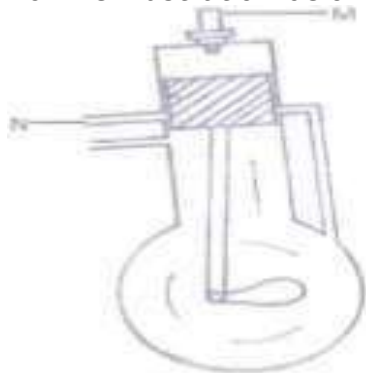
15. Below is an illustration of a camel study it and answer the questions that follow



a) Identify the camel species. (1mark)

b) Give four reasons why the camel species illustrated above is able to survive in its natural habitat. (4marks)

16. The illustration below shows a two stroke engine

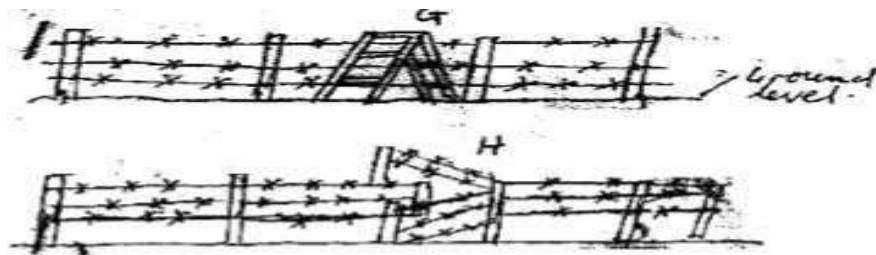


a) Name the parts labeled M and N. (2marks M.....  
N.....)

b) i) Name the stroke shown in the diagram. (1mark)

ii) Describe the process taking place in the stroke named above. (2marks)

17. Below are illustrations of passes labeled G and H.



a) Identify the passes. (2marks) G.....

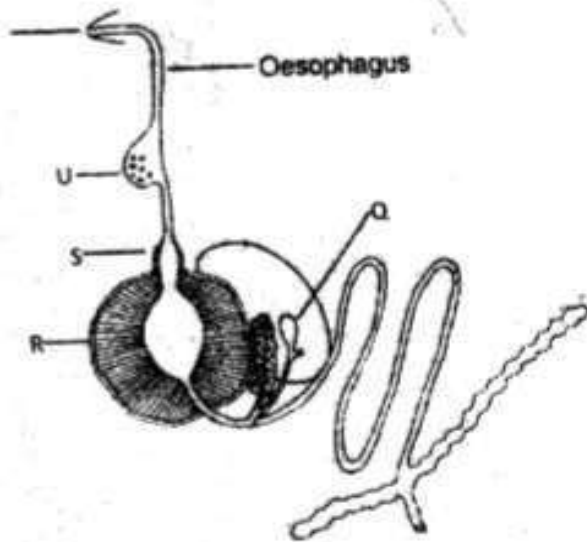
H.....

b) Give the advantages of pass H and G. (1mark)

.....  
.....

c) Describe how wood used in fencing is treated so as to last long. (2marks)

18. The diagram below shows digestive system in poultry.



Study it and answer the questions that follow.

a) Give one function of each of the parts labeled U and S. (2marks)

U.....

S.....

b) Identify the part labeled Q. (1mark)

.....  
.....

### SECTION C (40 Marks)

Answer any two questions in this section

19.a) Explain the features of an ideal calf pen. (7marks)

b) Give ways through which milk may be contaminated in milking shed. (7marks)

c) Describe the use of six tools / equipment required when transplanting vegetable seedlings. (6marks)

20. a) Describe black quarter disease under the following sub headings;

i) Livestock affected. (2marks)

ii) Predisposing factors (2marks)

iii) Signs of attack (7marks)

iv) Control measures (3marks)

b) Describe rearing of broiler chicks under the following subheadings;

i) Parasite and disease control. (6marks)

ii) Feeding management from one day old to slaughter. (8marks)

c) Describe the functions of six parts of the female reproductive system in poultry. (6marks)