

FORM FOUR KCSE MODEL 4
AGRICULTURE PAPER 1 QUESTIONS

SECTION A (30 Marks)

1. State two roles of water in plants.

.....
.....

2. Give three reasons why drainage of a water logged land is necessary

.....
.....

3. State two reasons why the top layer of the soil profile should be maintained.

.....
.....

4. Give two reasons why proper labour records should be kept.

.....
.....

5. Give two reasons why proper labour records should be kept.

.....
.....

State two ways in which continuous cropping can lead to low soil fertility.

.....

6. a) Distinguish between extensive and intensive farming. (1mark)

.....
.....

b) State two characteristics of extensive farming. (1mark)

.....
.....
9. State two factors likely to increase the supply of casual labour on the farm.

.....
.....
.....

10. a) What do you understand by the term soil liming?

..... (1mark)

b) State two reasons why soil liming should be done.

.....(1mark)

11. a) State three mechanical methods of controlling weeds. (1½ marks)

.....
.....
.....

b) Give two advantages of chemical method of weed control. (1 mark)

.....
.....

13. a) State two ways in which the household and firm are related. (1 mark)

.....
.....

b) State three agricultural support services likely to promote agricultural production. (1½mks)

.....
.....
.....

14. State two factors that can lead to poor establishment of the seedlings after transplanting them. (1 mark)

.....

15. State three reasons why land clearing is considered to be an important practice in crop production.

.....

16. State three factors likely to determine the correct stage at which harvested

.....

.....

.....

17. a) State three harmful effects of pests on crops. (1½ marks)

.....

.....

.....

.....

b) Give three examples of pests classified as rodents. (1½marks)

.....

.....

.....

18. State three disadvantages of using zero-grazing as a system of grazing.

.....

.....

.....

19. State four precautions that should be observed when harvesting pyrethrum.

.....
.....
.....

SECTION B (20 Marks)

20. The illustration below shows the water treatment process. Study it and answer the questions that follow

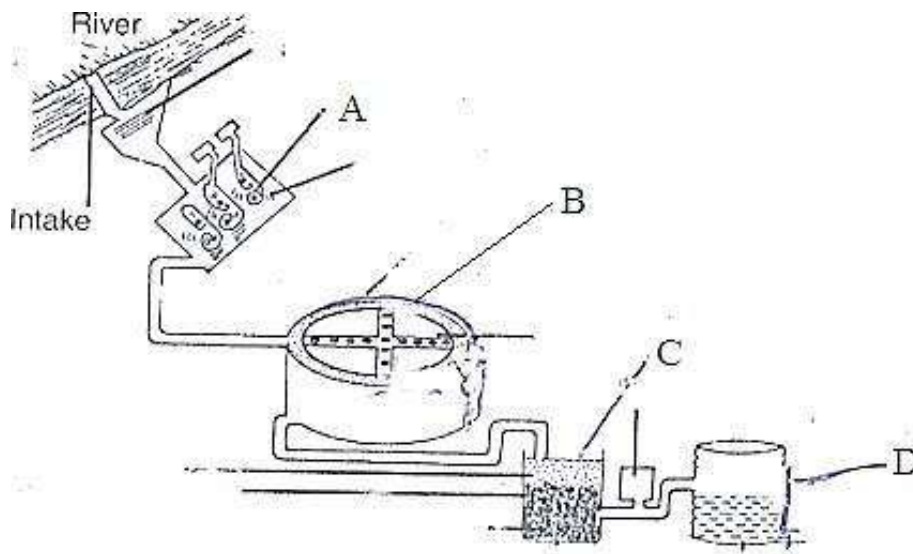


Figure 5.8 A water treatment system

a) Name the parts labelled A-D. (4 marks)

A

B.....

C

D.....

b) State the water treatment activities that take place at parts labelled. (4 marks)

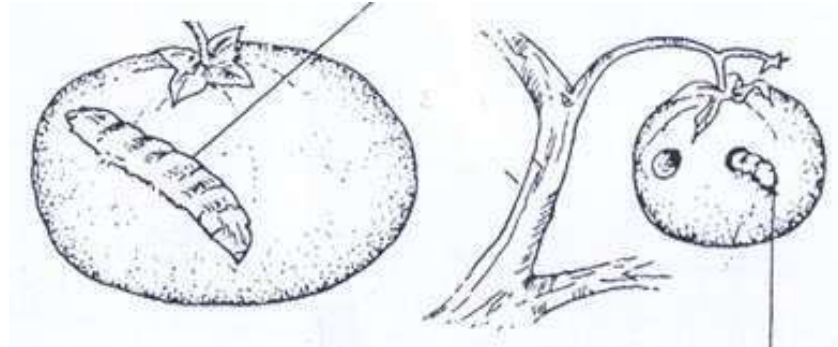
i. A

ii. B

iii. C

iv. D

c) Study the crop pest below and answer the questions that follow.



i. Identify the crop pest illustrated above. (1 mark)

ii. Name the destructive stage of the above pest. (1 mark)

iii.

iv. . iii. State the control measure of the above pest. (1 mark)

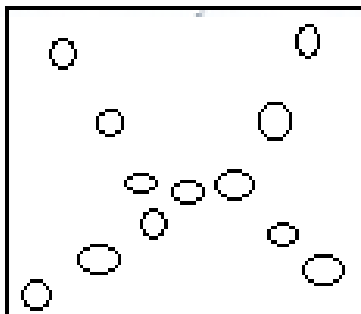
v.

vi. iv. A part from the pest illustrated above, name two other pests of tomatoes. (2 marks)

vii.

viii.

ix. 21. Study the method of soil sampling below and answer the questions that follow



a) Identify the method of soil profile illustrated above. (1 mark)

.....

b) Describe the soil sampling procedure. (6 marks)

.....

.....
.....
.....
SECTION C (40 Marks)

22. . a) What do you understand by individual land operator as a system of land ownership. (2 marks)

b) State four disadvantages of individual land tenure. (4 marks)

c) Explain why the million acre scheme was established in Kenya. (14 marks)

23. . a) Explain five factors that influence crop spacing. (10 marks)

b) Explain five qualities of a good soil structure suitable for crop farming. (10 marks)

24. .a) Describe various ways you would advise a farmer to carry out in order to control crop diseases.

(10 marks)

b) Describe the practices a famer should carry out in a field of pasture in order to produce high quality pasture of high yields. (10 marks)

.....
.....
.....
.....
.....