

FORM FOUR CLUSTER KCSE MODEL10

BUILDING & CONSTRUCTION PAPER 2 QUESTIONS

SECTION A (20 Marks)

Answer all the questions in this section

1. A a) List three welfare services for the operatives on a building site. (1½ marks)
.....
.....
.....
b) State three possible causes of ground movement under foundation. (1½ marks)
.....
.....
2. a) List four factors to consider when selecting type of a roof structure. (2 marks)
.....
.....
.....
b) Give two reasons for providing hoarding on a construction site. (2 marks)
.....
.....
3. a) Explain four factors that may cause reputation of a contractor. (2 marks)
.....
.....
.....
b) List four factors that influence the cost of building work. (2 marks)
.....
.....
4. a) List two ways which enables a paint film to dry. (2 marks)
.....
.....
b) Give four methods of transporting wet concrete to the required position. (2 marks)
.....
.....
5. a) State any four barriers to the trenches. (2 marks)
.....
.....
.....
.....
b) Outline four requirements of ladders. (2 marks)
.....
.....
.....
.....
6. a) Explain briefly two reasons why blinding is necessary. (2 marks)
.....
.....
.....

b) State the type of soil where the following ways of timbering are used. (2 marks)

- i. Open boarding
- ii. Close boarding

7. With the aid of sketches show two ways on how door/windows frames are fixed to the wall. (4 mks)

8. a) Differentiate between soil appliance and waste appliance guiding and example of each.(3 mks) .
.....
.....
.....

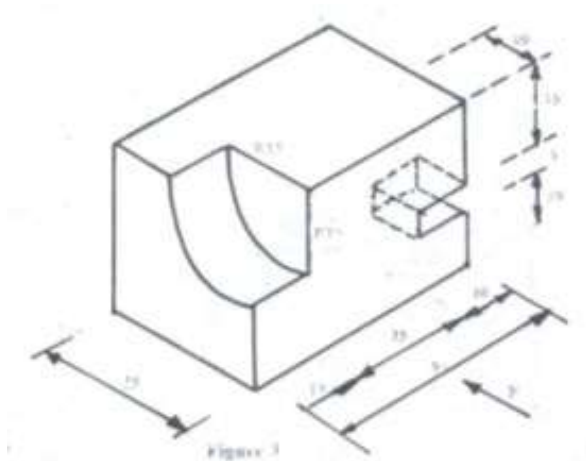
b) Briefly explain the following terms. i. Batching (2 marks)
.....
.....

ii. Grading of aggregates (2 marks)
.....
.....

9. a) Name two constitutes of paint and each case mention its purpose. (2 marks)
.....
.....

b) State four advantage of using aluminum tubes over steel when making scaffolds. (2 marks)
.....
.....
.....

10. Figure 3 shows a block in isometric view. (4 marks)

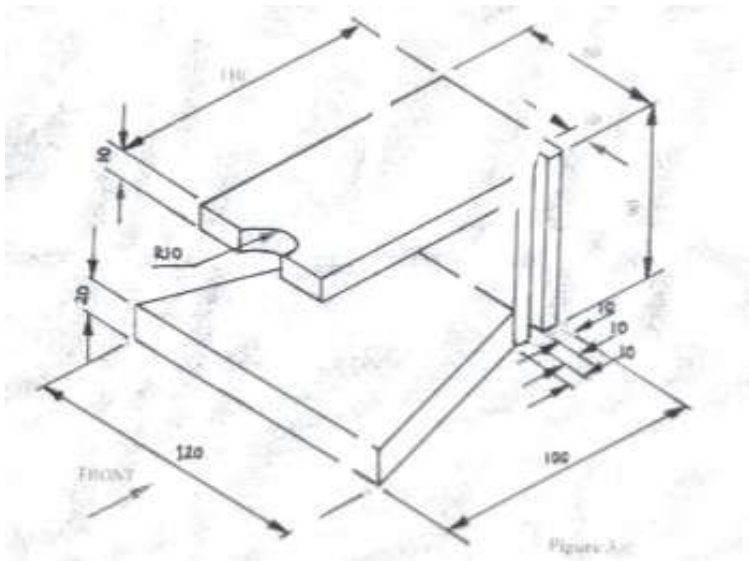


Draw the figure in first angle orthographic projection

SECTION B (30 Marks)

Answer question 11 and any other three questions from this section. Candidates are advised to spend not more than 25 minutes on question 11.

11. Figure 3 shows a pictorial view of a shaped block. Draw full size, in 3rd angle projection, the three views of the block



12. a) State 5 principles of a good drainage system. (5 marks)

.....

.....

.....

.....

b) List five causes of unsealing of traps. (5 marks)

.....

.....

.....

.....

c) State five factors to be considered when sitting a septic tank. (5 marks)

.....

.....

.....

.....

13. a) Outline the procedure for the construction of timber wall training. (7 marks)

.....

.....

.....

.....
.....
.....
.....
.....
.....

b) With the aid of a sketch describe the setting out of a rectangular building using the 3:4:5 method. State two advantages of this method. (8 marks)

14. a) Illustrate combined systems of direct cold water supply and indirect hot water supply heating in a domestic building.

15. a) Explain how to test for silt content in sand. (5 marks)

.....
.....
.....
.....
.....
.....

b) Give five functional requirements of foundations. (5 marks)

.....
.....
.....
.....
.....
.....
.....
.....
.....
.....
.....

c) Name any five factors which determine choice of roof structure (5 marks)

.....
.....
.....
.....
.....
.....