

**FORM FOUR CLUSTER KCSE MODEL10**

**BULDING &CONSTRUCTION PAPER 1 QUESTIONS**

**SECTION A (40 Marks)**

**Answer All the Questions in this Section.**

1. (a) Give THREE reasons for planting trees on site. (1½marks)  
.....  
.....  
.....  
  
(b) List THREE Welfare services provided on a building site. (1½marks)  
.....  
.....  
.....
2. (a) Name TWO qualities of cow dung as a building material. (1mark)  
.....  
.....  
  
(b) State FOUR safety precautions that should be observed during a visit to a building construction site. (2marks) .....  
.....  
.....
3. (a) State FOUR functional requirements of floor screeds. (2marks)  
.....  
.....  
.....  
  
(b) List FOUR causes of collapse (failure) of timbering to trenches. (2marks)  
.....  
.....  
.....
4. (a) Define the term hoarding. (1mark)  
.....  
.....  
  
(b) List FOUR factors to consider before a system of painting is selected. (2marks)  
.....  
.....  
.....
5. (a) State TWO effects of cement to masonry. (1mark)  
a) .....  
b) .....  
  
(b) Show the standard symbols of the following. (3marks)  
a)Earth.....  
b)Hardcore.....

c) Cement/Sand sreed.....

6. (a) What action a builder take if the diagonals of building he has set is not equal.(1mark)

.....  
.....  
.....

(b) Give TWO reasons why foundations are built below ground level. (2marks)

.....  
.....  
.....

7. (a) State TWO reasons why top soil should be removed before digging the foundation.(2marks)

.....  
.....  
.....

(b) Sketch a Flemish bond. (3marks)

.....  
.....  
.....  
.....

8. Sketch and label a purlin or double roof.

9. (a) Name any FOUR materials used in water supply pipe work. (2marks)

.....  
.....  
.....  
.....

(b) Name THREE situations that make a scaffold stable. (3marks)

.....  
.....  
.....  
.....

10. (a) Give any FOUR duties of a quantity survey. (2marks)

.....  
.....  
.....  
.....

(b) Construct a regular hexagon given the length of one side  $AB=33\text{mm}$ . (4marks)

## SECTION B (10 Marks)

**Answer Question 11 on the A3 paper provided and any other three questions from this section in the space provided**

11. Figure 4 shows a pictorial drawing of a shaped block.(15MK)

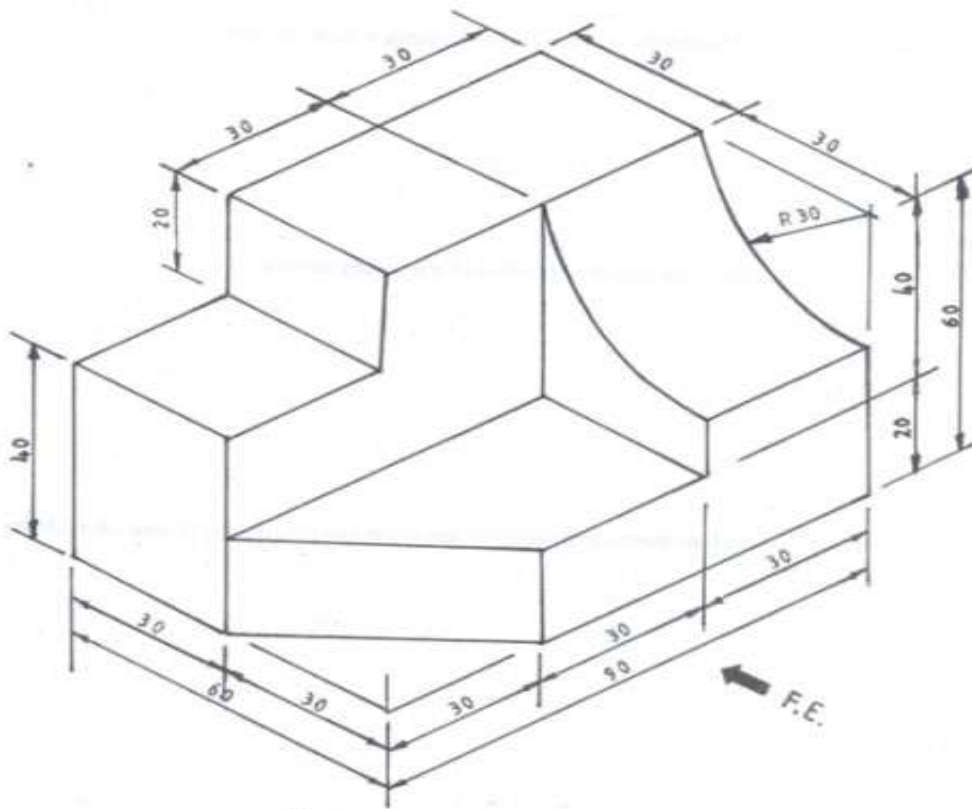


Fig. 4

To a scale of 1:1 draw three orthographic views of the block in 3rd angle projection. Insert six dimensions. (15marks)

12. a) With the aid of a labeled sketch, show the damp proofing details at a junction of a floor slab and external wall. (6marks)
- (b) Sketch and label horizontal sections to show two methods of fixing cladding on a wall. (9marks)
13. (a) A basement structure has to be provided with some damp proofing construction. Make a fully labeled sketch to show all the details for it. (10marks)
- (b) Show with labeled sketch a king posts truss. (5marks)
14. (a) With the aid of a sketch outline the procedure of laying PVC tiles on cement-sand screed floor. (11 marks)
- (b) Explain the following terminologies as used in foundations
  - i) Bearing capacity; (2marks)
  - .....
  - .....
  - .....
  - ii) Made up ground; (2marks)

.....  
.....  
.....

15. (a) State four:-

i. Advantages of timber scaffolds over steel scaffolds. (4marks)

.....  
.....  
.....

ii. Activities that must be carried out immediately a constructor takes possession of a site(4marks)

.....  
.....  
.....

(b) State FOUR precautions to be observed on a new site before leveling exercise starts (4marks)

.....  
.....  
.....

(c) State any THREE methods of transporting concrete to the required position. (3marks)

.....  
.....  
.....