

FORM 4 MID TERM 2 2020

AGRICULTURE PAPER 2

SECTION A (30 MARKS)

*Answer all questions from this section in the spaces provided.*

1. Mention **two** examples of meat goats in Kenya (1mk)  
.....  
.....
2. Give the functions of the following parts in the male reproductive system of a goat  
(i) Testes(1mk)  
.....  
(ii)Urethra (1mk)  
.....
3. State **three** factors that affect digestibility of a feed in dairy animals (1 ½ mks)  
.....  
.....  
.....
4. State **three** factors to consider when selecting eggs for sale (1 ½ mks)  
.....  
.....  
.....
5. Give **two** uses of a gear box in a tractor (2mks)  
.....  
.....
6. Differentiate between outcrossing and cross breeding as used in livestock production (2mks)  
.....  
.....  
.....
7. State **three** reasons for weighing livestock at weaning stage (1 ½ mks)  
.....  
.....  
.....
8. State **four** functions of vitamins (2mks)  
.....  
.....  
.....  
.....

9. State **two** advantages of using wood as a construction material (2mks)

.....  
.....  
.....

10. Mention **four** safety precautionary measures when using electric power in the farm (2mks)

.....  
.....  
.....

11. Name **two** tractor drawn implements that are attached to the draw bar (1mk)

.....  
.....

12. Give **two** uses of footbath in a plunge dip (2mks)

.....  
.....

13. State **two** possible channels through which Kenya farmers can market their livestock (2mks)

.....  
.....

14. State **two** disadvantages of using hurricane lamps and lanterns as providers of heat in a brooder (2mks)

.....  
.....

15. Give **four** ways of stimulating milk let down in a dairy cow (2mks)

.....  
.....  
.....  
.....

16. State **two** functions of additives in silage making (2mks)

.....  
.....

17. State the uses of the following tools and equipments (1 ½ mks)

(i) Chipping harmer

.....

(ii) Tinsnip

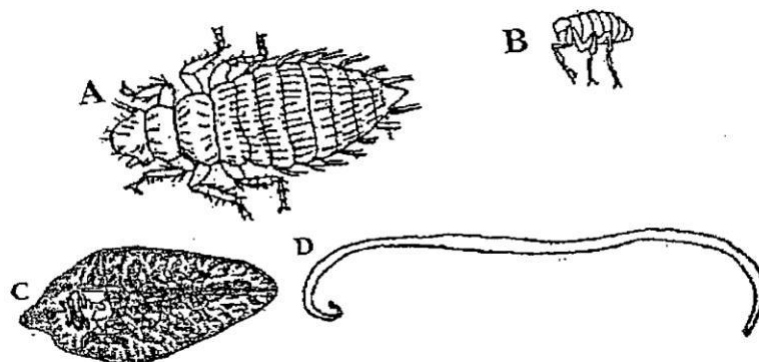
.....

(iii) Router

**SECTION B (20 MARKS)**

*Answer all the questions in this section in the spaces provided*

18. (a) Identify each of the parasites of livestock shown below, (2mks)



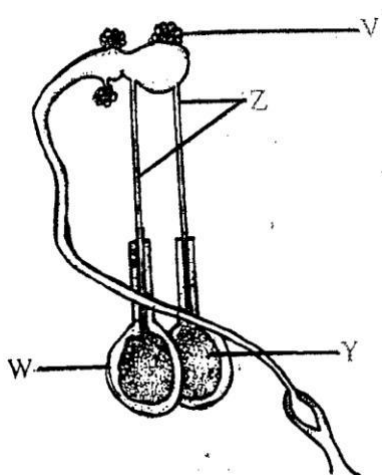
(b) What is the difference between parasites **A** and **B** and parasites **C** and **D**? (1mk)

- A.....
- B.....
- C.....
- D.....

(c) Suggest an effective control measure of the parasite labeled **C** (1 mk)

.....

18. The diagram below shows the male reproductive organ in cattle. Study it and answer the questions that follow



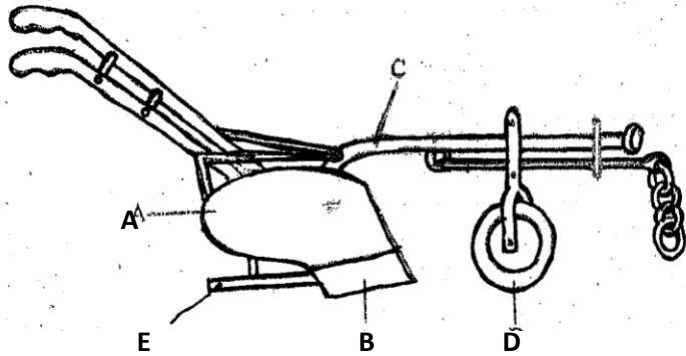
(a) Name the parts labeled **Z** and **W** (2mks)

- Z** .....
- W** .....

(b) State **two** functions of the part labeled **Y** (2mks)

.....  
 .....

19. Below is a diagram of a farm implement



(a) Identify the implement ( ½ mk)

.....

(b) Label the parts marked **A,B,C,D** and **E** (2 ½ mks)

**A**.....

**B**.....

**C**.....

**D**.....

**E**.....

(c) State the functions of the parts labeled **C** and **E** (2mks)

.....  
 .....

20. A farmer wants to prepare a ration for layers containing 18% DCP using maize germ 20% DCP and wheat bran 10% DCP.

(a) Calculate using Pearson's square method the amount of each feed-stuff needed in order to prepare 100kg of feed (5mks)

(b) Name **one** other method the farmer can use to compute the ratio (1mk)

.....

21. The diagrams below illustrate a **four** stroke cycle engine system. Study it and answer the questions that follow

