

**FORM THREE END TERM ONE EXAM 2020**  
**PHYSICS PAPER 2**  
**(THEORY)**

**TIME: 2 HOURS**

\

**FORM THREE END TERM ONE EXAM 2020**  
**PHYSICS PAPER 2**  
**(THEORY)**

**Section A (25 marks)**

1. Give one difference between luminous and non-luminous sources of light. (1mk)
2. When a negatively charged rod is brought near the cap of a leaf electroscope, the leaf rises. Explain this observation, (2mks)
3. **Figure 2** represents a displacement-time graph for a wave.

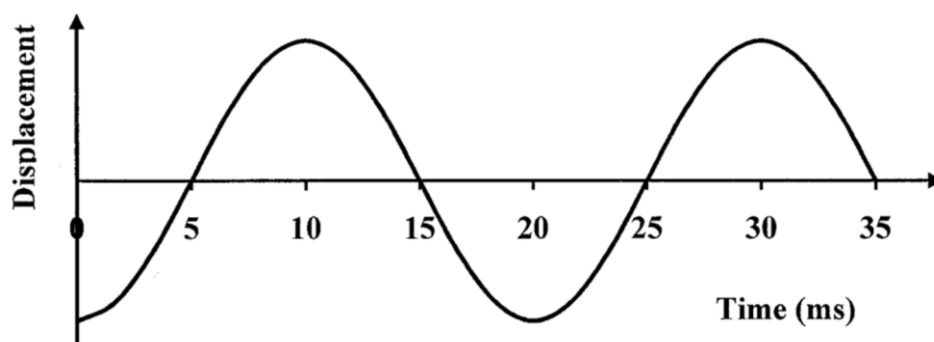


Figure 2

- Determine the frequency of the wave. (2mks)
4. **State** the conditions necessary for a wave incident on a slit to be diffracted. (2mrks)
  5. In an experiment to determine the focal length of a concave mirror, magnification  $M$  was determined for various image distances  $v$ . Figure 3 shows a graph of magnification  $M$  against image distance  $v$

# FORM THREE END TERM ONE EXAM 2020

## PHYSICS PAPER 2

### (THEORY)

for the results from the experiment.

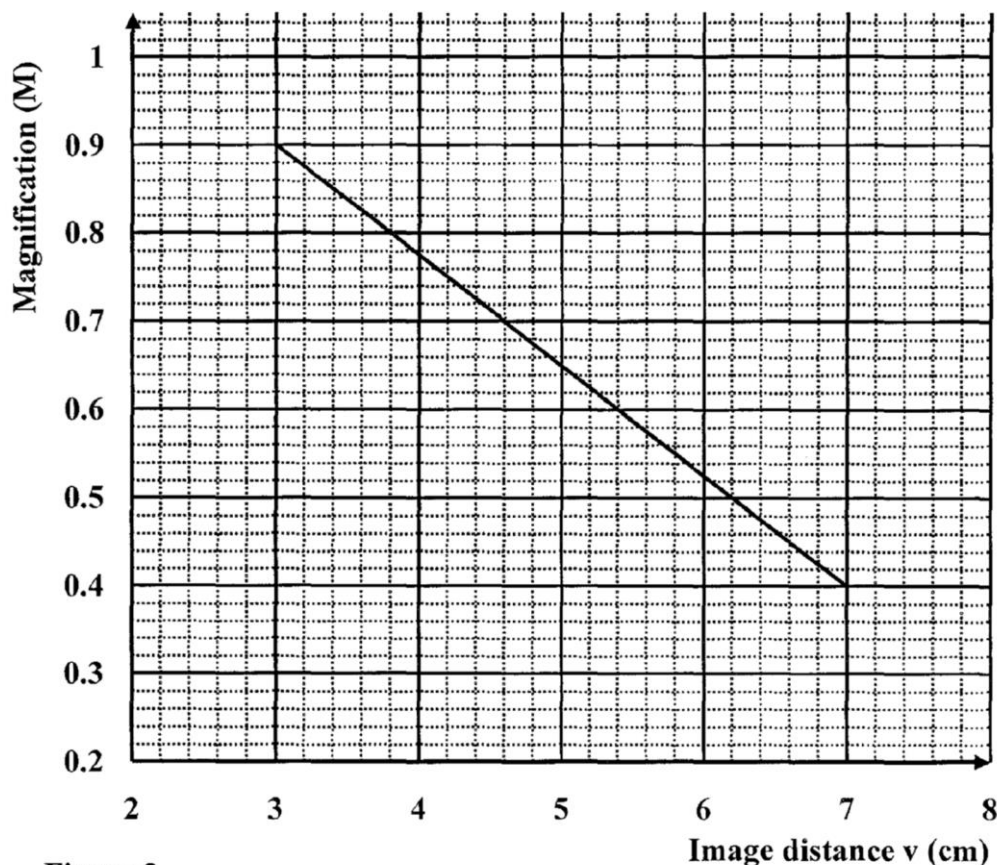


Figure 3

Given that  $M = 1 \frac{v}{f}$ , determine the focal length  $f$  of the mirror. (3mks)

A hair dryer is rated 2500W, 240V. Determine its resistance. (2mks)

- .....
6. **Figure 4** shows the magnetic field pattern round a current-carrying conductor. Indicate on the conductor the direction of the current. (1mk)

**FORM THREE END TERM ONE EXAM 2020**  
**PHYSICS PAPER 2**  
**(THEORY)**

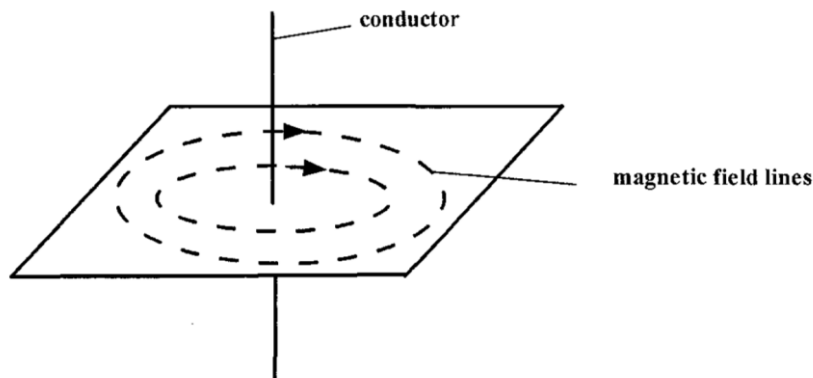


Figure 4

7. Why is repulsion the sure test for a magnet? (1mk)
- .....
- .....

8. **Figure 5** shows a ray of light incident on an air bubble which is inside water,

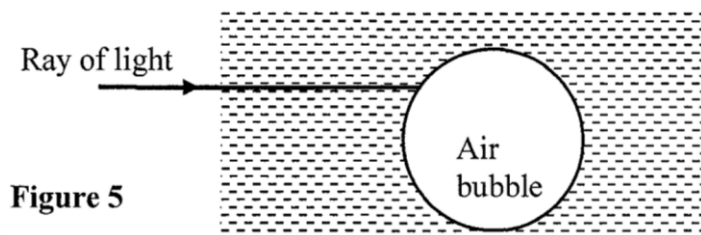


Figure 5

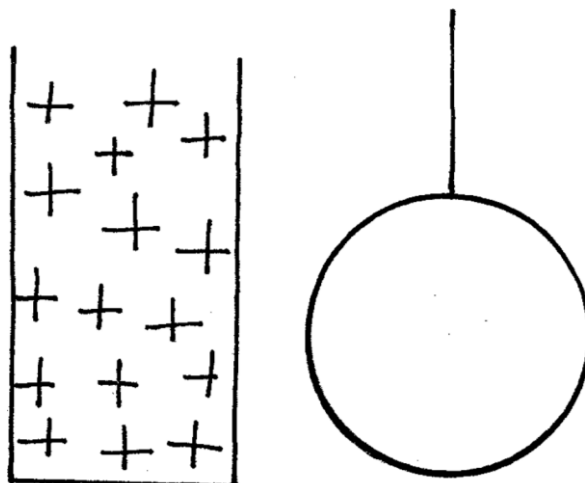
Complete the ray to show the path it follows through the air bubble. (1mk)

9. Explain how polarization of a cell increases the cell's internal resistance. (2mks)

10.

1. A positively charged material was brought close to an insulated metallic ball as shown in Fig 4. State and explain the distribution of charge in the ball (2mks) **Fig. 4**

**FORM THREE END TERM ONE EXAM 2020**  
**PHYSICS PAPER 2**  
**(THEORY)**



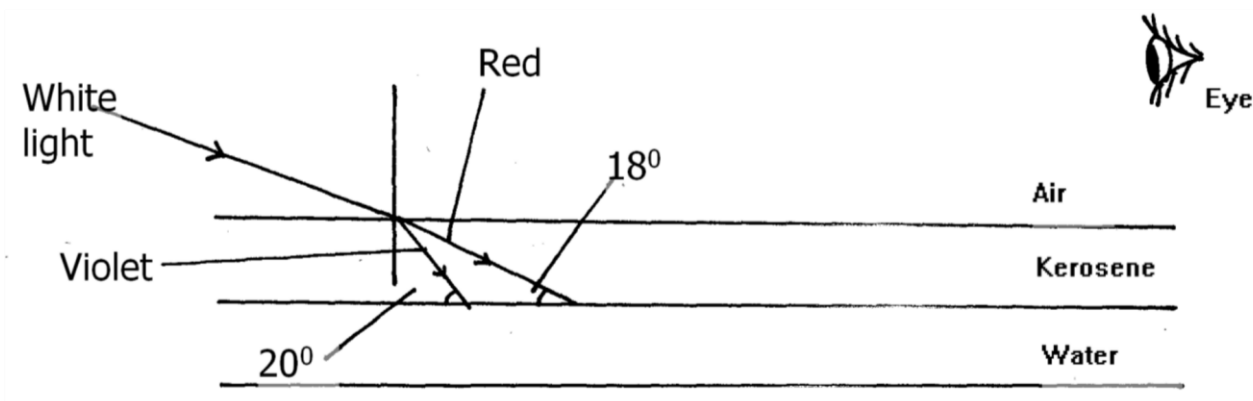
Explain why sound cannot be heard from far when one shouts in a forest (1mk)

- .....
- .....
11. Using the variation of resistance with temperature, differentiate between a conductor and a semiconductor. (1mk)
12. A cell of internal resistance  $0.5\Omega$  is in a circuit containing a  $10\Omega$  resistor. A current of  $2A$  flows in the circuit. Determine the emf of the cell. (2mks)

**Section B (55 marks)**

13. (a) (i) State Snell's law of refraction of light (1mk)
- .....
- .....
- (ii) Give two advantages of totally internally reflecting prisms over plane mirrors. (2mks)
- .....
- .....
- (b) A ray of light is incident on a kerosene water interfaces as shown in figure 7  
Fig. 7

**FORM THREE END TERM ONE EXAM 2020**  
**PHYSICS PAPER 2**  
**(THEORY)**

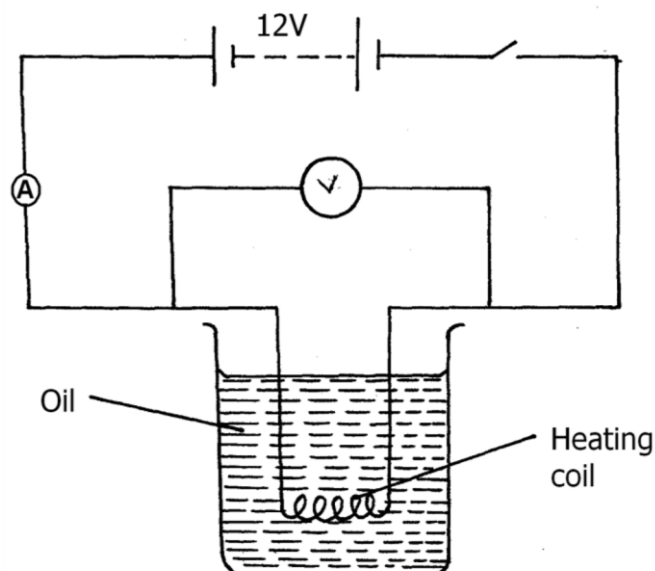


Given that the refractive index of water and kerosene are 1.33 and 1.44 respectively, Determine

- (i) the refractive index for the kerosene – water interface (3mks)
  - (ii) determine and show on the figure the path of the rays of light between the Kerosene-water surface (3mks)
  - (iii) Why does the colours of the light separate at the kerosene layer. (1mk)
- .....
- .....
- (iv) State and explain the observation that the eye above the two surfaces would see (2mks)
- (a) State Ohm’s law (1mk)
- .....
- .....

(b) The figure 8 below shows a circuit with a coil used to warm oil in a beaker.  
**Fig. 8**

**FORM THREE END TERM ONE EXAM 2020**  
**PHYSICS PAPER 2**  
**(THEORY)**

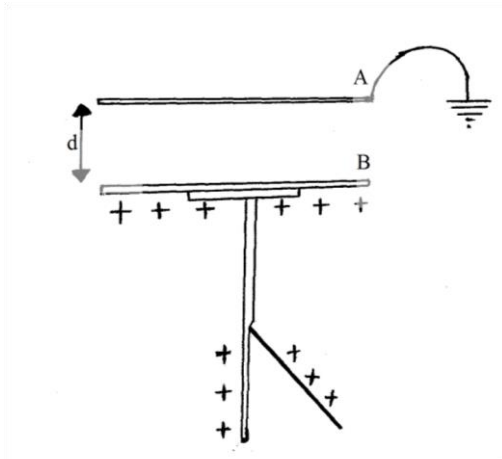


- (i) Explain how heat is produced in the coil (2mks)
- (ii) Given that the reading of the ammeter is 2.4A determine the resistance of the coil. (3mks)
- (iii) How much heat is produced in the coil in a minute? (3mks)
- (iv) Give two changes that can be made in the set up in order to produce more heat per minute. (2mks)

14. (a) Define capacitance of a capacitor (1mk)

.....  
.....  
The figure below shows a charged electroscope two aluminium plates A and B arranged as shown

**FORM THREE END TERM ONE EXAM 2020**  
**PHYSICS PAPER 2**  
**(THEORY)**



State and explain the observations made when:

- (i)  $d$  is reduced  
 (2mks)

.....  
 .....

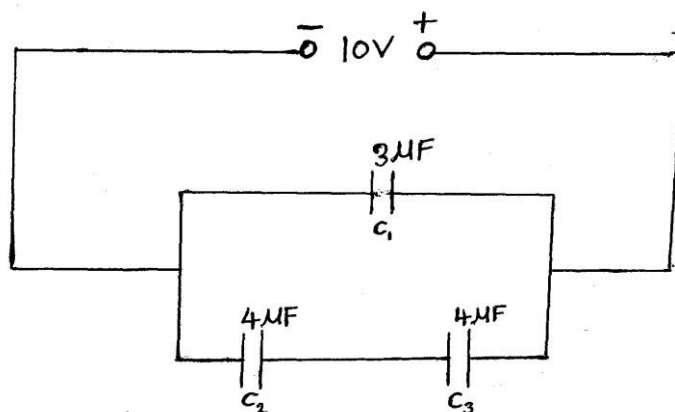
- (ii) the plate A is more horizontally (2mks)

.....  
 .....

- (iii) a sheet of polythene is placed between A and B (2mks)

.....  
 .....

- (b) Three capacitors are connected to a 10V battery as shown below.



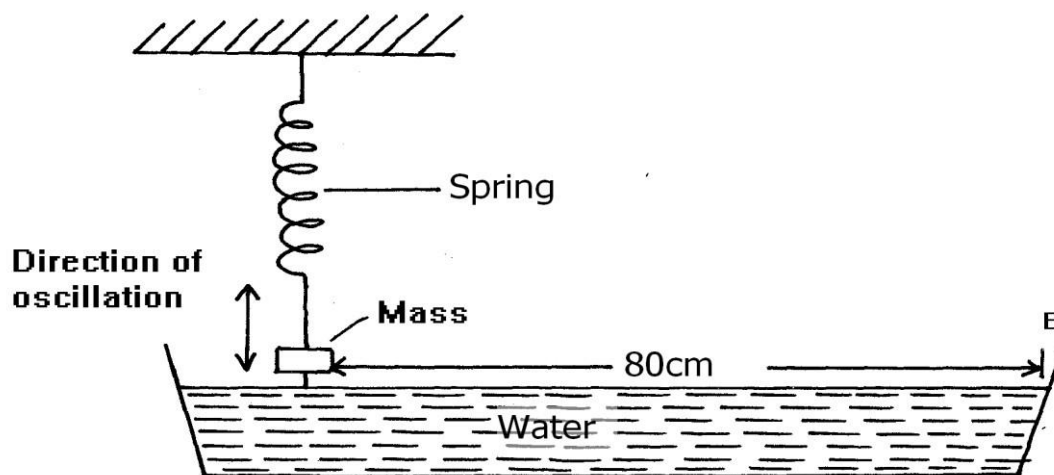
- (i) Calculate the combined capacitance (3mks)



**FORM THREE END TERM ONE EXAM 2020**  
**PHYSICS PAPER 2**  
**(THEORY)**

- (ii) What is the charge on the  $3 \mu\text{F}$  capacitor  
(3mks)

15. Students set up a mass attached to spring such that when it oscillates it taps on water surface in a wide shallow tank. **Fig. 6**



The students measured time for 20 oscillations and found that the mass takes 36 seconds.

- (i) Determine the periodic time of the mass (2mks)

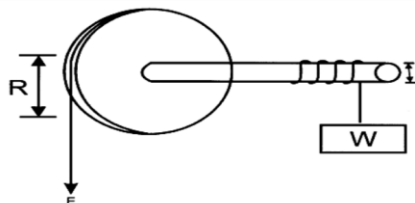
- .....  
.....  
(ii) Calculate the frequency of the waves produced on the water surface (3mks)

- (iii) Given that the student counted four ripples between the mass and end B of the tank,  
Determine the speed of the waves. (3mks)

16.

- a. A machine is a device that enables work to be done more easily and conveniently. State any two ways in which a machine makes work easier. (2 marks)
- b. Figure 7 shows a wheel and axle being used to raise a load  $W$  by applying an effort  $E$ . The radius of the wheel is  $R$  and of the axle is  $r$ .

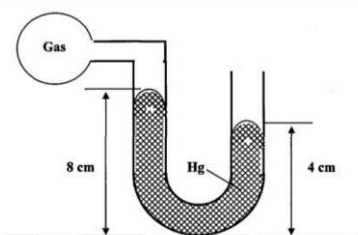
**FORM THREE END TERM ONE EXAM 2020**  
**PHYSICS PAPER 2**  
**(THEORY)**



- $R$
- i) Show that the velocity ratio (V.R) of this machine is given by (3 Marks)
- ii) Given that  $r = 5\text{cm}$  and  $R = 50\text{cm}$ , determine the effort required to raise a load of

200N if the efficiency of the machine is 90%. (3 mks)

- c. An airtight flask containing a gas is connected to a mercury manometer. The levels of mercury in the two limbs of the manometer are as shown in the diagram below.



Calculate the pressure of the gas (Density of mercury =  $1.36 \times 10^4 \text{ kg/m}^3$  and atmospheric pressure =  $1.0 \times 10^5 \text{ N/m}^2$ ) (3mks)

- d.) State one way of making the surface tension of a liquid stronger. (1mk)